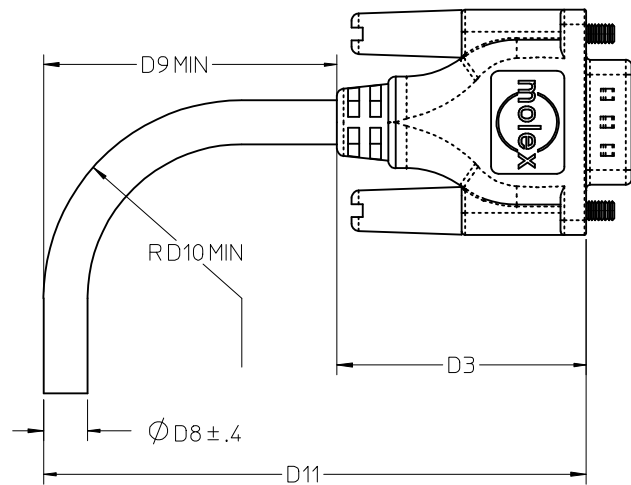


MOLEX P/N	DESCRIPTION	GAUGE	LENGTH(M) TOL.
745760008	1X PCIe CABLE ASSEMBLY	28	0.18M±0.025
745760000	1X PCIe CABLE ASSEMBLY	28	0.5M±0.025
745760001	1X PCIe CABLE ASSEMBLY	28	1M±0.050
745760002	1X PCIe CABLE ASSEMBLY	28	2M±0.100
745760003	1X PCIe CABLE ASSEMBLY	28	3M±0.100
745760004	1X PCIe CABLE ASSEMBLY	28	4M±0.100
745760005	1X PCIe CABLE ASSEMBLY	26	5M±0.150
745760006	1X PCIe CABLE ASSEMBLY	26	6M±0.150
745760007	1X PCIe CABLE ASSEMBLY	24	7M±0.150

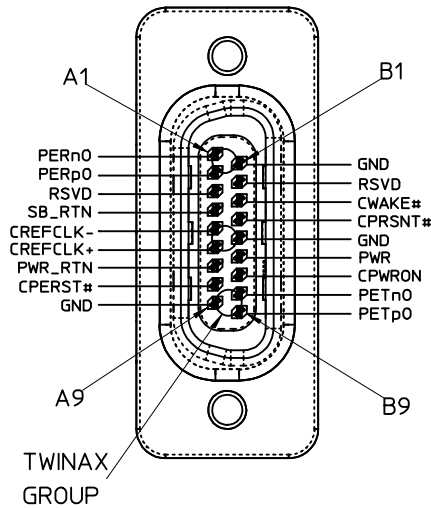
**NOTES:**

- INNER MOLDED WITH 887800008,  
OUTER MOLED WITH BLACK 887800019
- THIS PRODUCT MEETS THE RESTRICTION OF HAZARDOUS SUBSTANCES  
IN ELECTRICAL AND ELECTRONIC EQUIPMENT (RoHS) DIRECTIVE  
(2002/95/EC).
- WW/YY DATE CODE:  
WW-WEEK NUMBER  
YY-LAST TWO NUMBER OF THE YEAR

<b>ENTER DESCRIPTION</b> EC NO: USY2009-0028 DRWN: JERWIN 2008/09/17 CHKD: JERWIN 2008/09/29 APPR: DDOYE 2008/09/30	<b>QUALITY SYMBOLS</b> ▽=0 ▽=0	<b>GENERAL TOLERANCES (UNLESS SPECIFIED)</b>		<b>DIMENSION STYLE</b> MM/IN		SCALE 1:1	DESIGN UNITS METRIC	THIRD ANGLE PROJECTION			
		4 PLACES ± --- ± ---	3 PLACES ± --- ± .020	DRAWN BY JERWIN	DATE 2006/04/06	TITLE 1X PCIe CABLE ASSEMBLY					
		2 PLACES ± 0.5 ± ---	1 PLACE ± --- ± ---	CHECKED BY T. HALL	DATE 2006/04/06						
		ANGULAR ± 1°		DRAFT WHERE APPLICABLE MUST REMAIN WITHIN DIMENSIONS		APPROVED BY D. DOYE	DATE 2006/04/06	MOLEX INCORPORATED		MATERIAL NO. SEE CHART	DOCUMENT NO. SD-74576-000



AWG	24	26	28	TOLERANCE
D8	6.5	5.80	5.60	± 0.4
D10	29.25	26.10	25.20	MIN
D9	35.6	32.45	31.55	MIN
D3	34.00	34.00	34.00	BASIC
D11	75.95	72.80	71.90	MIN



SIGNAL DESC	PIN#		PIN#	SIGNAL DESC
PERn0	A1	← - - -	B8	PETn0
PERp0	A2	← - - -	B9	PETp0
RSVD	A3	NC	A3	RSVD
SB_RTN	A4	- - - -	A4	SB_RTN
CREFCLK-	A5	← - - -	A5	CREFCLK-
CREFCLK+	A6	← - - -	A6	CREFCLK+
PWR_RTN	A7	NC	A7	PWR_RTN
CPERST#	A8	- - - -	A8	CPERST#
GND	A9	- - - -	B1	GND
GND	B1	- - - -	A9	GND
RSVD	B2	NC	B2	RSVD
CWAKE#	B3	- - - -	B3	CWAKE#
CPRSNT#	B4	- - - -	B4	CPRSNT#
GND	B5	- - - -	B5	GND
PWR	B6	NC	B6	PWR
CPWRON	B7	- - - -	B7	CPWRON
PETp0	B9	- - - -	A2	PERp0
PETn0	B8	- - - -	A1	PERn0

ENTER DESCRIPTION EC NO: USY2009-0028 DRWN: JERWIN 2008/09/17 CHKD: DOOYE 2008/09/29 APPR: DOOYE 2008/09/30	QUALITY SYMBOLS ▽=0 ▽=0	GENERAL TOLERANCES (UNLESS SPECIFIED)		DIMENSION STYLE	SCALE	DESIGN UNITS	THIRD ANGLE PROJECTION	
				MM/IN	1:1	METRIC		
				DRAWN BY	DATE	TITLE		
				JERWIN	2006/04/06	1X PCIE CABLE ASSEMBLY		
		CHECKED BY		DATE	MOLEX INCORPORATED DOCUMENT NO. SD-74576-000 SHEET NO. 2 OF 2			
		T. HALL		2006/04/06				
		APPROVED BY		DATE	THIS DRAWING CONTAINS INFORMATION THAT IS PROPRIETARY TO MOLEX INCORPORATED AND SHOULD NOT BE USED WITHOUT WRITTEN PERMISSION			
		D. DOYE		2006/04/06				
		MATERIAL NO.						
		SEE CHART						
		SIZE B						
		DRAFT WHERE APPLICABLE MUST REMAIN WITHIN DIMENSIONS						